



Switch-Pad™

Introduction

Howard Industries' Switch-Pad™ is an oil filled, pad-mounted device intended for fusing, sectionalizing and tapping applications on medium voltage underground electrical distribution systems. Switch-Pad™ can be provided in many different configurations including single-phase and three-phase configurations and is available with numerous switching and fusing options. Housed in the same oil-filled enclosure used for single-phase pad-mounted transformers, Switch-Pad™ will blend in well with other pad-mounted equipment in any underground residential or commercial system.

Ratings

Switch-Pad™ is suitable for application on system voltages ranging from 4160Y/2400 through 34500Y/19920 (150 kV BIL) at 200 Amps. continuous.

Standard Features

Switch-Pad™ is supplied with the following standard features:

- All-welded mild steel enclosure with removable flip-up hood and detachable sill
- Stainless steel handle, padlock provision, recess cup, hinge pins, and barrels
- Captive silicon bronze penta-head security bolt
- Recessed stainless steel lifting provisions
- Domed top surfaces of hood and oil compartment to prevent water retention
- Electrostatically applied powder paint finish with polyurethane top coat, Munsel 7GY3.29/1.5 green in color
- Enclosure meets requirements of IEEE C57.12.28



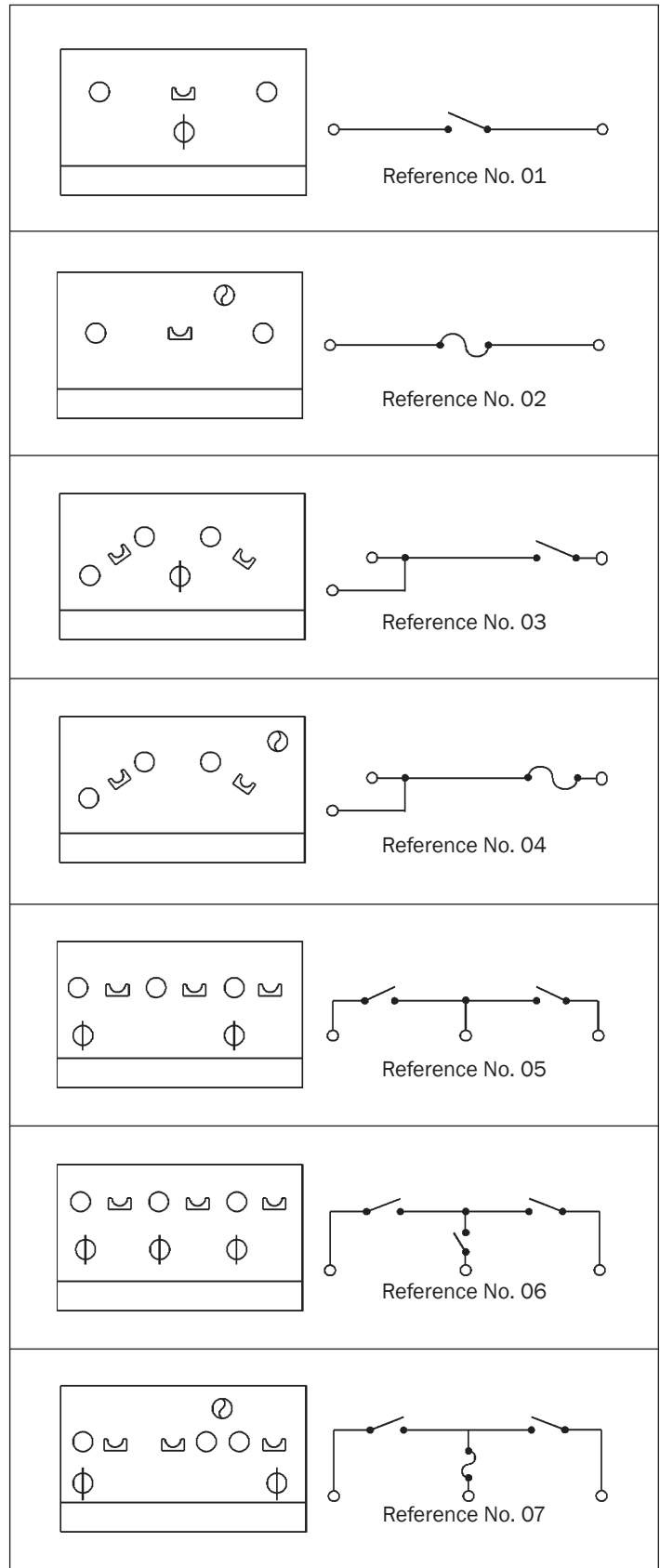
Figure 1: Switch-Pad™ pad-mounted fusing, switching, and sectionalizing device

- 200 Amp externally clamped bushing wells.
 - Accessory mounting bracket(s)
 - Oil fill/oil level plug
 - Oil drain plug
 - Tank ground provisions
 - Automatic pressure relief device
 - Laser engraved anodized aluminum nameplate
- Optional Features**
- 200 Amp. load-break high-voltage bushing inserts or 600 Amp. dead-break externally-clamped one-piece high-voltage bushings
 - Externally operated load-break on/off or sectionalizing switch
 - Enclosure meets requirements of IEEE C57.12.29
 - High density polyethylene protector strips on bottom contact surfaces to prevent paint damage during storage and installation
 - Fusing options: (a) internally mounted expulsion fuses, (b) internally mounted expulsion fuses with series connected backup current limiting fuses, (c) draw-out expulsion fuses with or without series-connected isolation links, (d) draw-out expulsion fuses with series-connected backup current limiting fuses, or (e) draw-out full range current limiting fuses in dry well canisters (Notes: Fusing selection may result in a continuous rating below 200 Amps. User must identify source and load connections if fusing is specified.)

- Fault indicators or provisions only
- Drip shields for use with draw-out expulsion fuses
- Tank ground connectors
- Additional accessory mounting brackets
- Hex-head security bolt
- Laser engraved stainless steel nameplate
- Custom stenciling and labeling
- NEMA safety label

Standard single-phase padmounted Switch-Pad™ configurations are illustrated in Figure 2. Single-phase Switch-Pads™ are also available in round submersible configurations as illustrated in Figure 3. Standard three-phase padmounted Switch-Pad™ configurations are illustrated in Figure 4.

Contact the factory to discuss custom configurations and additional options that may be available to satisfy special user requirements.



Key to Symbols Used in Figures 2-4		
	Front Panel Symbol	Schematic Symbol
HV bushing	○	○
Fuse	⊗	⌚
Load-break switch	⊕	⚡
Parking stand	⌒	⌒
Switch/fuse interlock	□	□

FIGURE 2: Front panel layouts and schematic diagrams for standard single-phase padmounted Switch-Pad™ configurations. (Continued on next page.)

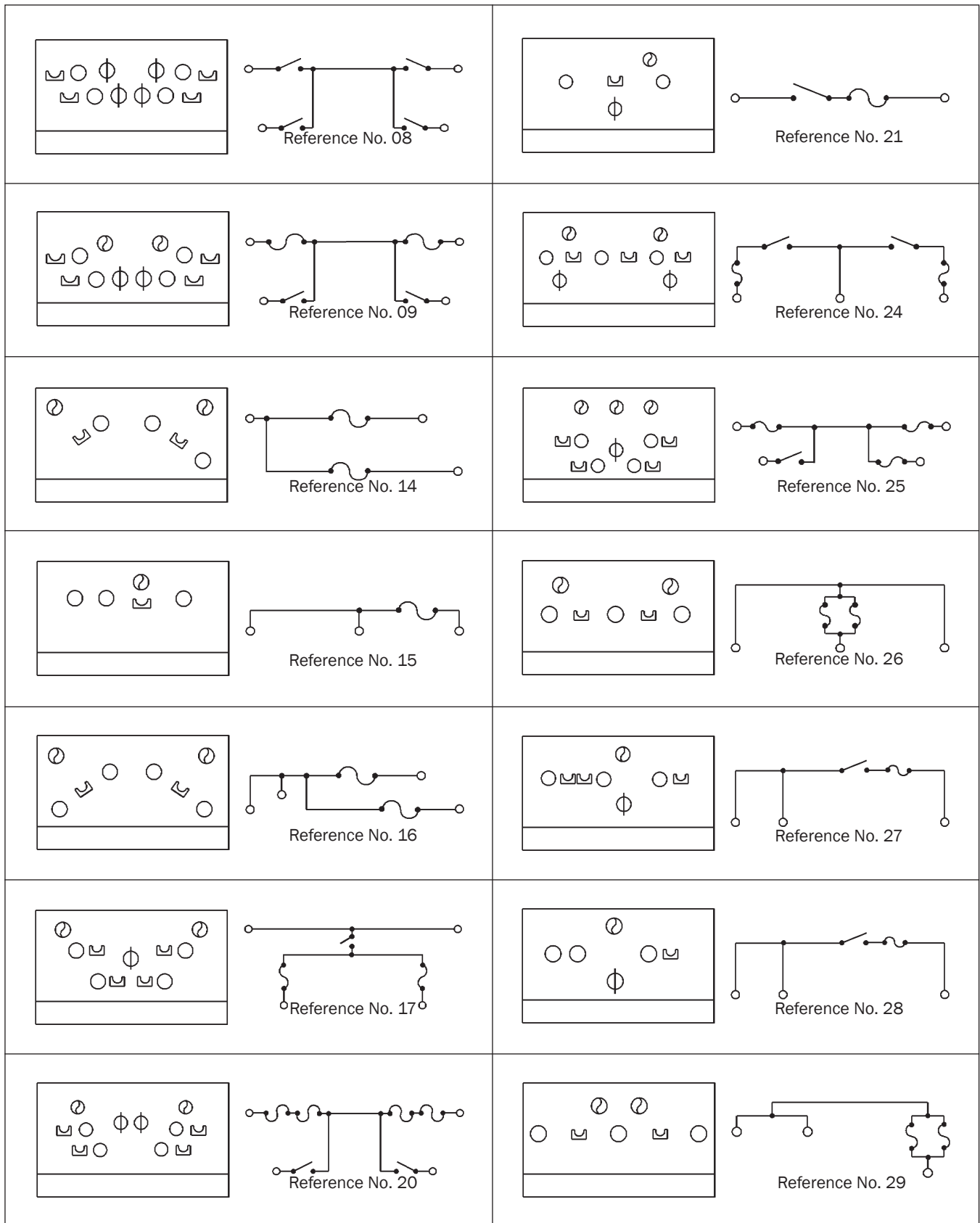


FIGURE 2 (Continued): Front panel layouts and schematic diagrams for standard single-phase padmounted Switch-Pad™ configurations. (Continued on next page.)

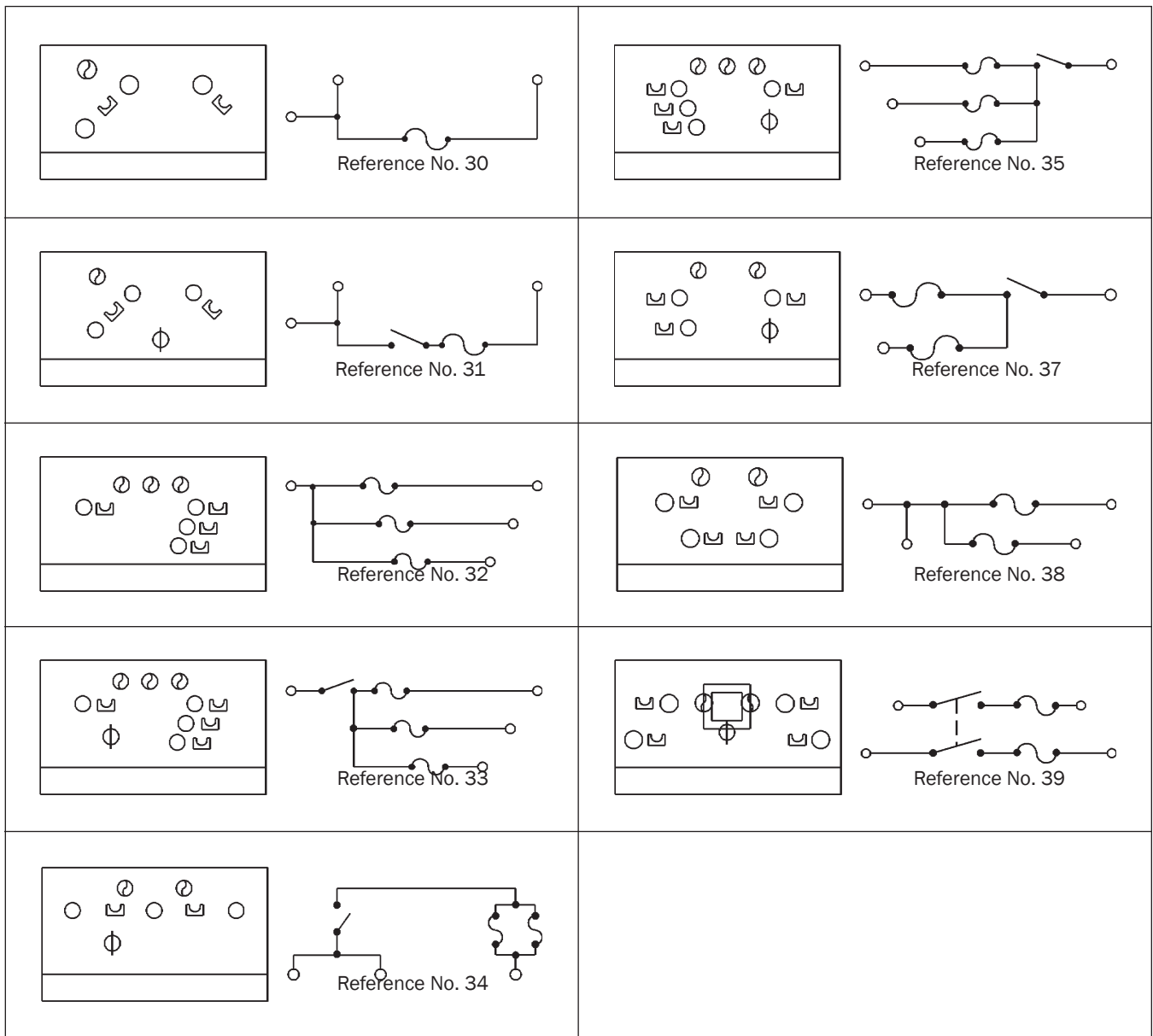


FIGURE 2 (Continued): Front panel layouts and schematic diagrams for standard single-phase padmounted Switch-Pad™ configurations.

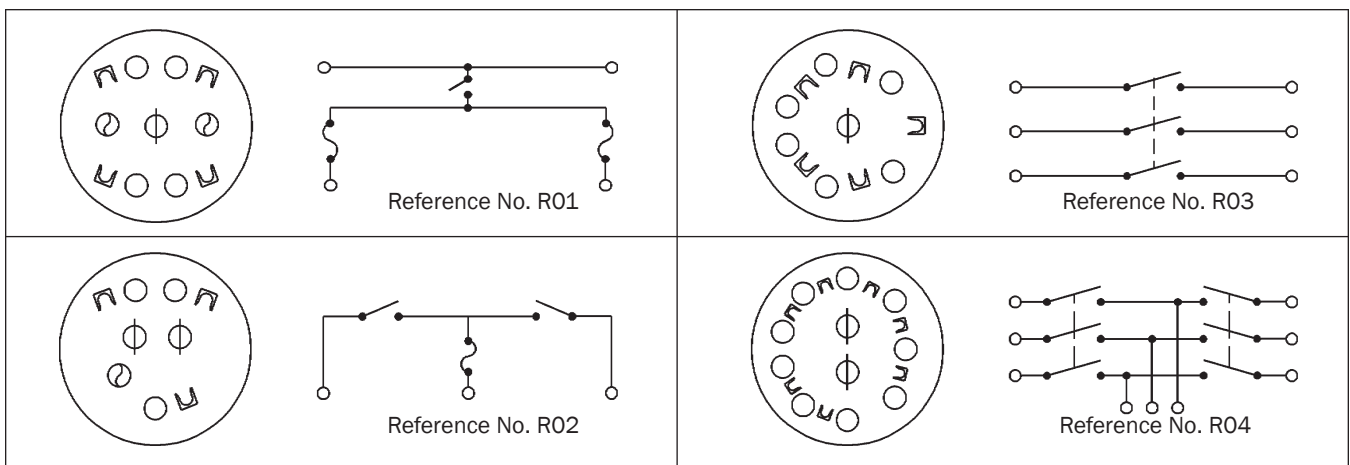


FIGURE 3: Cover layouts and schematic diagrams for standard single-phase submersible Switch-Pad™ configurations.

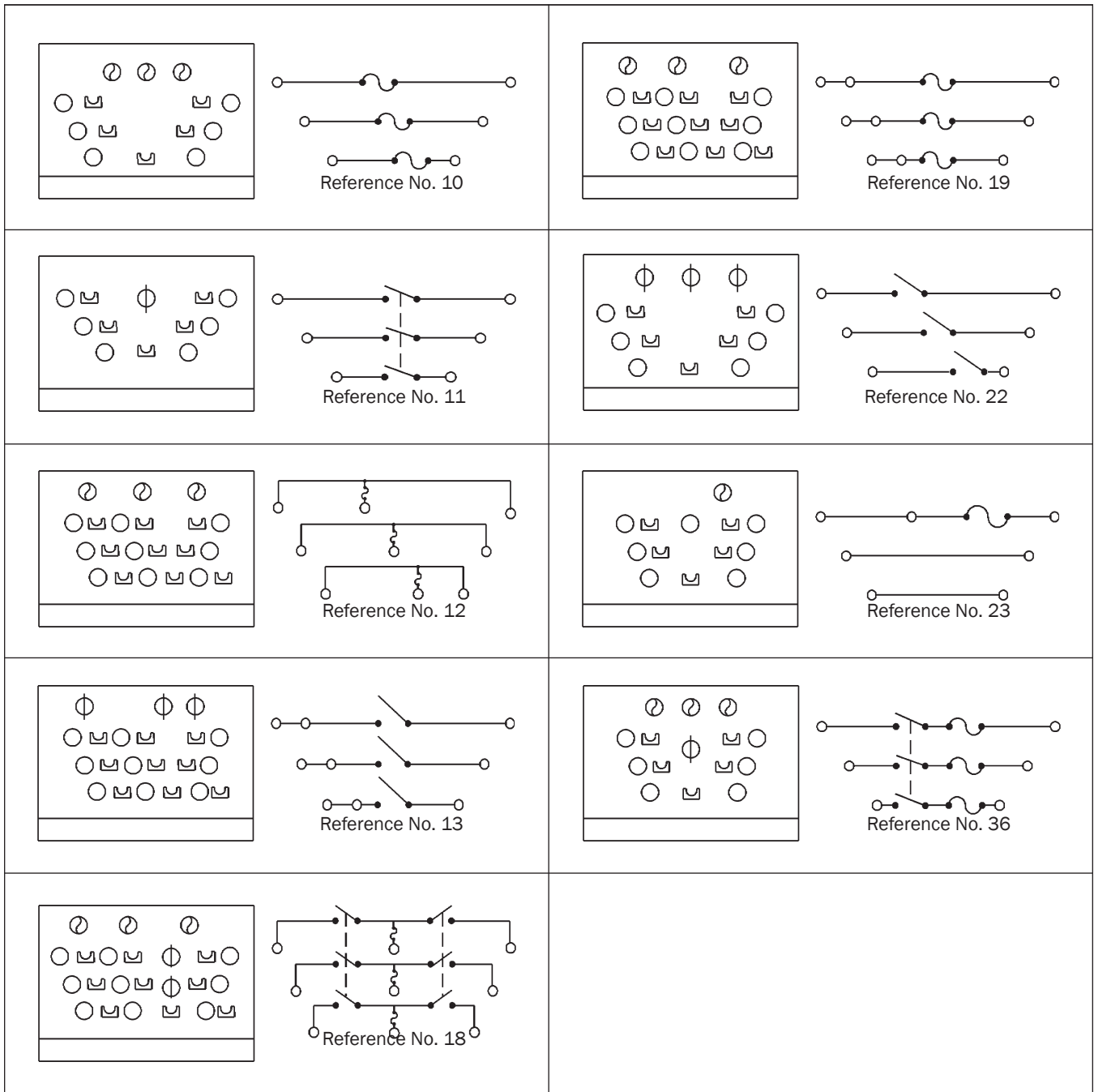


FIGURE 4: Front panel layouts and schematic diagrams for standard three-phase padmounted Switch-Pad™ configurations.

NOTES

NOTES



Switch-Pad™



Howard Industries, Inc.
Certified to ISO 9001:2015
10002179

Catalog Section 70-10
Document 2.4.01, Revision 04, April, 2018
Copyright © Howard Industries, Inc.
Laurel, Mississippi
Telephone: 601-425-3151
Fax: 601-649-8090
E-mail: mkt@howard.com
Web: howardtransformers.com